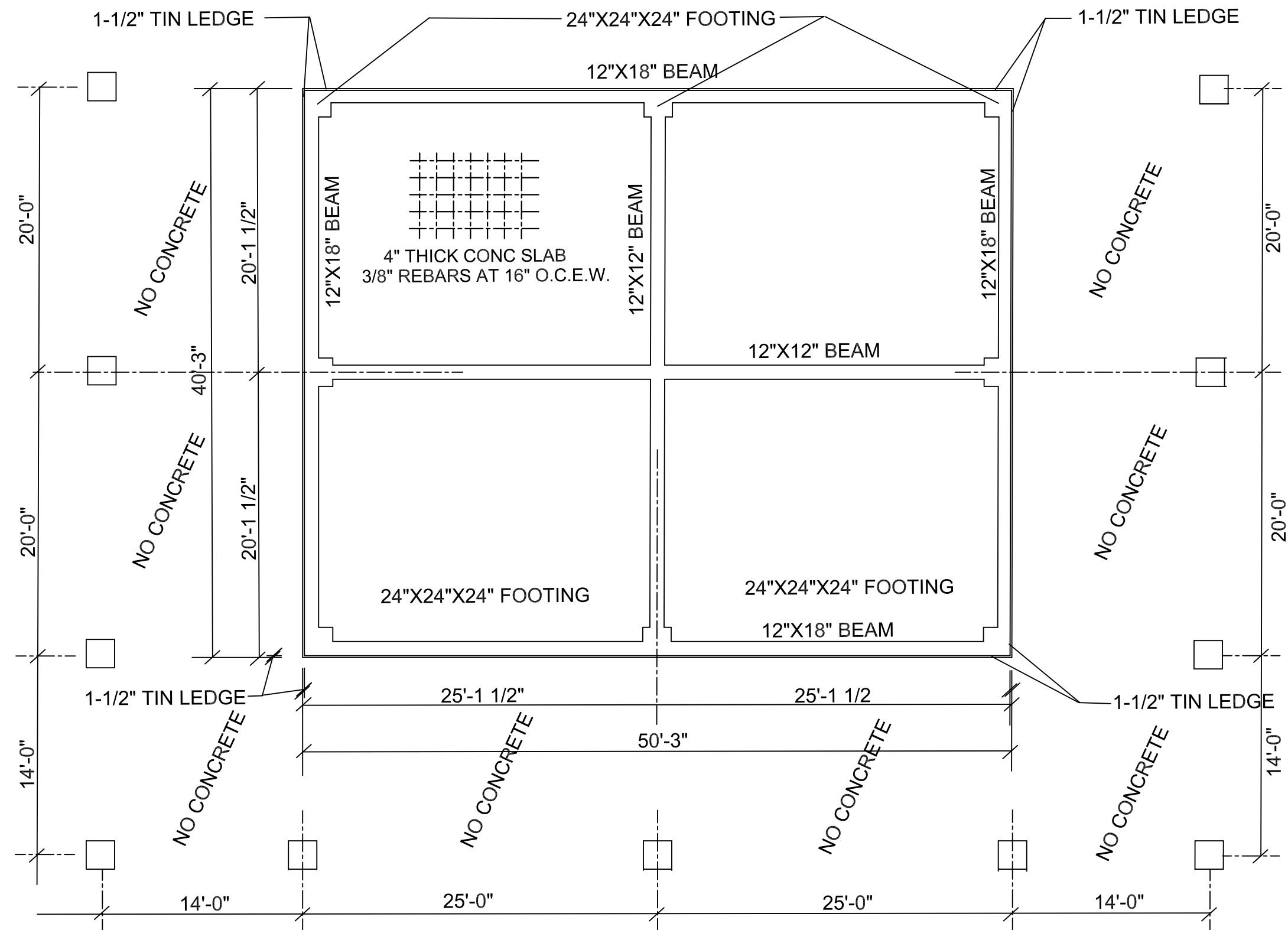
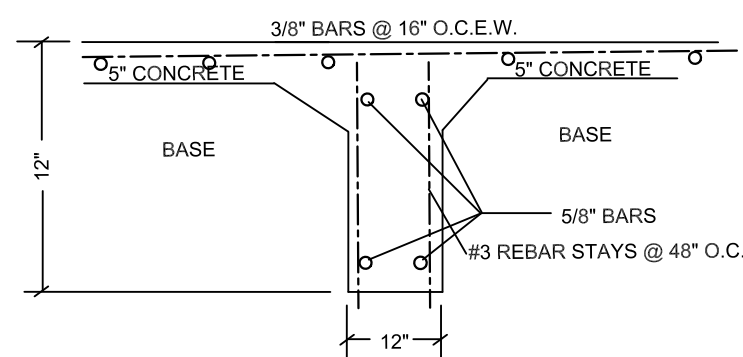


NOTES:

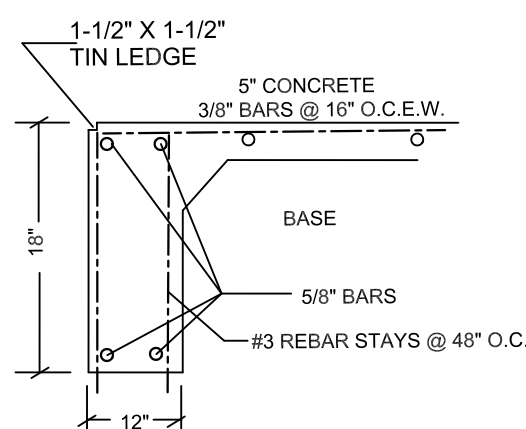
1. ALL MATERIALS AND WORKMANSHIP SHALL BE PERFORMED IN ACCORDANCE WITH LOCAL STANDARDS AND TO APPLICABLE PROVISIONS OF THE GOVERNING BUILDING CODE.
2. THESE DRAWINGS SHOW ONLY REPRESENTATIVE AND TYPICAL DETAILS TO ASSIST THE CONTRACTOR. THE DRAWINGS DO NOT ILLUSTRATE EVERY CONDITION. ALL ATTACHMENTS, CONNECTIONS, FASTENINGS, ETC. SHALL BE PROPERLY SECURED IN CONFORMANCE WITH THE BEST PRACTICE. THE CONTRACTOR SHALL BE RESPONSIBLE FOR PROVIDING AND INSTALLING THEM.
3. THE GENERAL CONTRACTOR SHALL VERIFY ALL DIMENSIONS AND CONDITIONS AT THE JOB SITE AND SHALL BE RESPONSIBLE FOR THE CONDITION OF ALL WORK AND MATERIALS, INCLUDING THOSE FURNISHED BY SUB-CONTRACTORS.
4. CONCRETE PLACEMENT SHALL BE IN ACCORDANCE WITH ACI 318-05, BUILDING CODE REQUIREMENTS FOR STRUCTURAL CONCRETE.
5. ALL CONCRETE SHALL HAVE A MINIMUM STRENGTH OF 3,500 PSI AT 28 DAYS.
6. CONCRETE SHALL HAVE A WATER/CEMENT RATION OF 0.55 AND A SLUMP OF 3" - 5".
7. ALL REINFORCEMENT STEEL SHALL CONFIRM TO ASTM A-615, GRADE 60, EXCEPT #3 MAY BE GRADE 40..
8. REINFORCING BARS SHALL BE LAPPED A MINIMUM OF 40 DIAMETERS.
9. 4" CONCRETE SLAB WITH 3/8 INCH REBAR SPACED AT 16 INCHES ON CENTER EACH WAY.
10. 24"x24"x24" PADS FOR ALL COLUMNS.



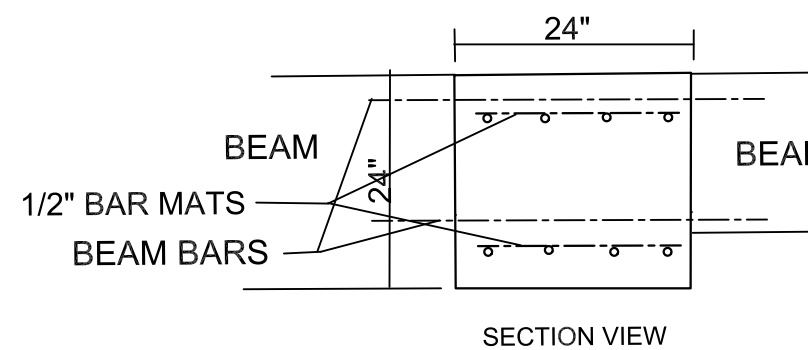
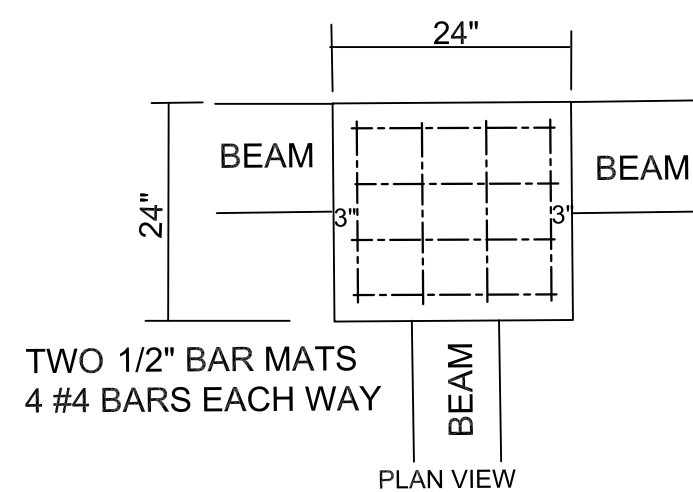
PLAN VIEW



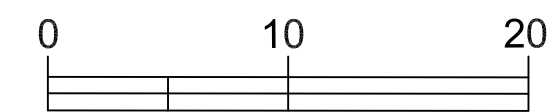
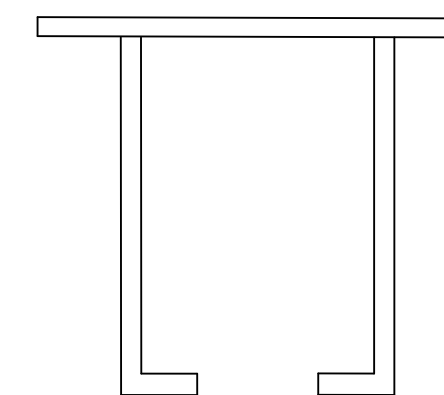
INTERIOR BEAM



PERIMETER BEAM



COLUMN FOOTING



SCALE 1/8" = 1'-0"

DETAILS NOT TO SCALE

FOUNDATION PLAN
136 HIDDEN SHORES
CISCO, TEXAS

OWNER:
CHAD HARMONSON
3606 LOMA DRIVE
ODESSA, TEXAS 79762

CONTRACTORS:
T&J CONSTRUCTION
COLEMAN, TEXAS 76864

HADA ENGINEERING
1971 FM 574 W. MULLIN, TEXAS 76864
ENGINEERING FIRM # F-9311
hadaengr@centex.net / 325-451-0223

LARRY G. HADA, P.E.
STATE OF TEXAS NO. 39492

MAY 19, 2022

JOB NO. 22063-1